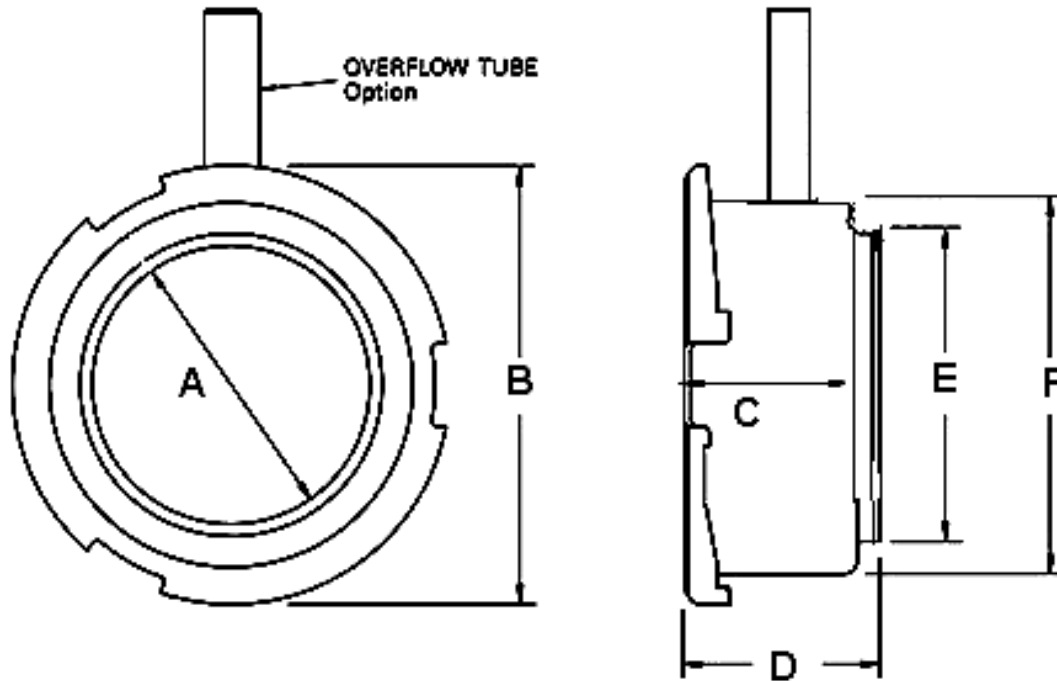


RADIATOR FILLER NECK CATALOGUE




www.kortechradiator.com

Quality Oriented Product at

Affordable Price

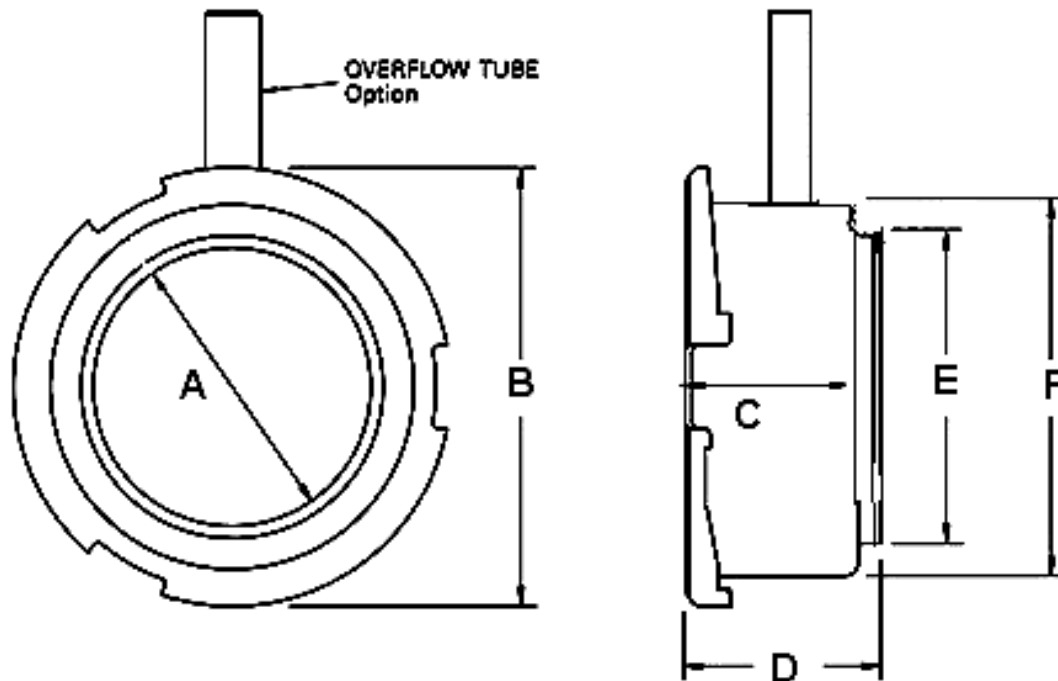
export@kortechradiator.com

| Filler Neck |  KOR TECH Auto Industries (Pvt) Ltd. | KTFN 1001 |
|-----------------------|--|-----------|
| Specifications | Inches | mm |
| A | Φ 1.64" | Φ 41.7 |
| B | Φ 2.26" | Φ 57.4 |
| C | 1.02" | 25.8 |
| D | 1.18" | 29.9 |
| E | Φ 1.05" | Φ 26.6 |
| F | Φ 1.67" | Φ 42.43 |
| Material | Brass | |
| Applications | Agricultural, Industrial, Generator and many more applications | |
| OEM Reference | NA | |

These are replacement parts. OE part numbers and descriptions are quoted for reference Purpose only. Manufacturer reserves the right to change or modify as and when required.

www.kortechradiator.com export@kortechradiator.com ceo@kortechradiator.com

RADIATOR FILLER NECK CATALOGUE




www.kortechradiator.com

Quality Oriented Product at

Affordable Price

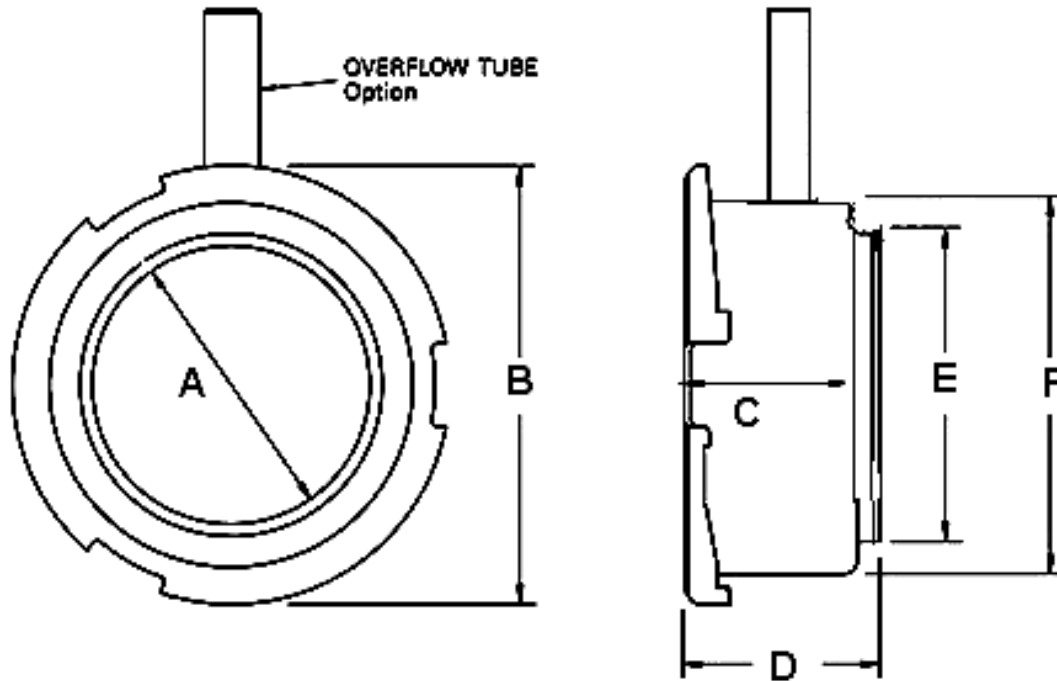
export@kortechradiator.com

| | | |
|----------------|--|----------|
| Filler Neck |  KOR TECH Auto Industries (Pvt) Ltd. | KTFN1002 |
| Specifications | Inches | mm |
| A | Ø 2.18" | Ø 55.4 |
| B | Ø 2.72" | Ø 69.2 |
| C | 0.73" | 18.5 |
| D | 0.93" | 23.6 |
| E | Ø 1.54" | Ø 39.2 |
| F | Ø 2.23" | Ø 56.6 |
| Material | Brass | |
| Applications | Heavy Duty Trucks, Industrial, Generator and many more application | |
| OEM Reference | NA | |

These are replacement parts. OE part numbers and descriptions are quoted for reference Purpose only. Manufacturer reserves the right to change or modify as and when required.

www.kortechradiator.com export@kortechradiator.com ceo@kortechradiator.com

RADIATOR FILLER NECK CATALOGUE




www.kortechradiator.com

Quality Oriented Product at

Affordable Price

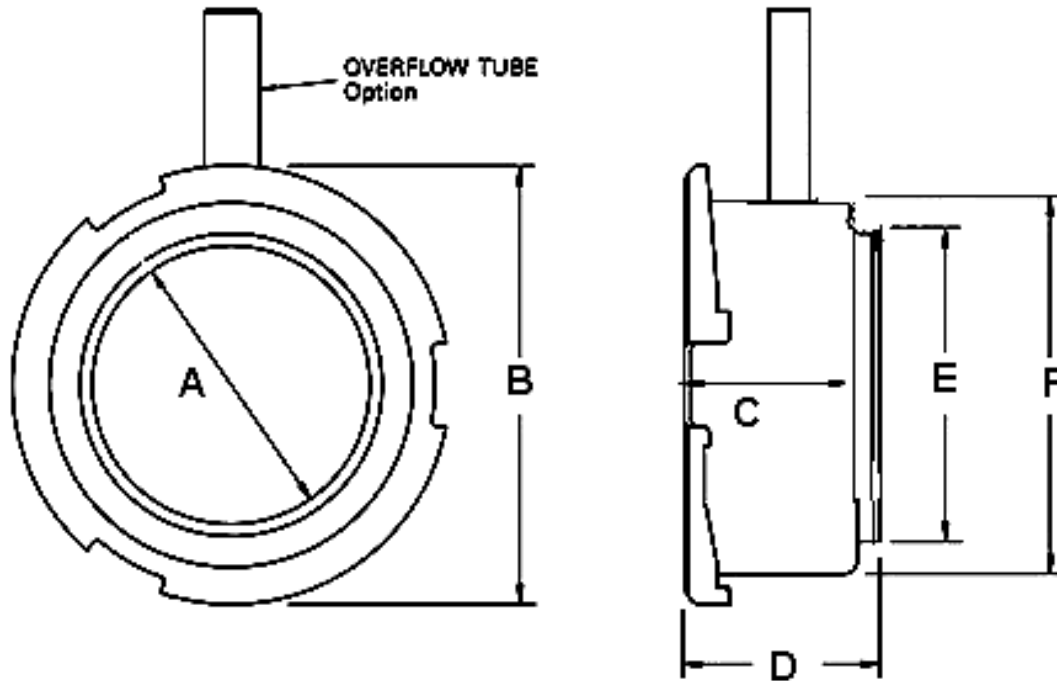
export@kortechradiator.com

| Filler Neck |  KOR TECH Auto Industries (Pvt) Ltd. | KTFN1003 |
|-----------------------|--|-----------|
| Specifications | Inches | mm |
| A | Ø 1.63" | Ø 41.34 |
| B | Ø 2.23" | Ø 56.58 |
| C | 0.76" | 19.3 |
| D | 0.95" | 24.2 |
| E | Ø 1.22" | Ø 31.1 |
| F | Ø 1.63" | Ø 41.5 |
| Material | Brass | |
| Applications | Universal for various application | |
| OEM Reference | NA | |

These are replacement parts. OE part numbers and descriptions are quoted for reference Purpose only. Manufacturer reserves the right to change or modify as and when required.

www.kortechradiator.com export@kortechradiator.com ceo@kortechradiator.com

RADIATOR FILLER NECK CATALOGUE




www.kortechradiator.com

Quality Oriented Product at

Affordable Price

export@kortechradiator.com

| Filler Neck |  KOR TECH Auto Industries (Pvt) Ltd. | KTFN1004 |
|-----------------------|--|-----------|
| Specifications | Inches | mm |
| A | Ø 1.35" | Ø 34.4 |
| B | Ø 1.24" | Ø 31.6 |
| C | 0.66" | 16.7 |
| D | 0.76" | 19.4 |
| E | Ø 0.78" | Ø 19.7 |
| F | Ø 1.23" | Ø 31.3 |
| Material | Brass | |
| Applications | Domestic / Passenger Cars and other vehicles | |
| OEM Reference | NA | |

These are replacement parts. OE part numbers and descriptions are quoted for reference Purpose only. Manufacturer reserves the right to change or modify as and when required.

www.kortechradiator.com export@kortechradiator.com ceo@kortechradiator.com